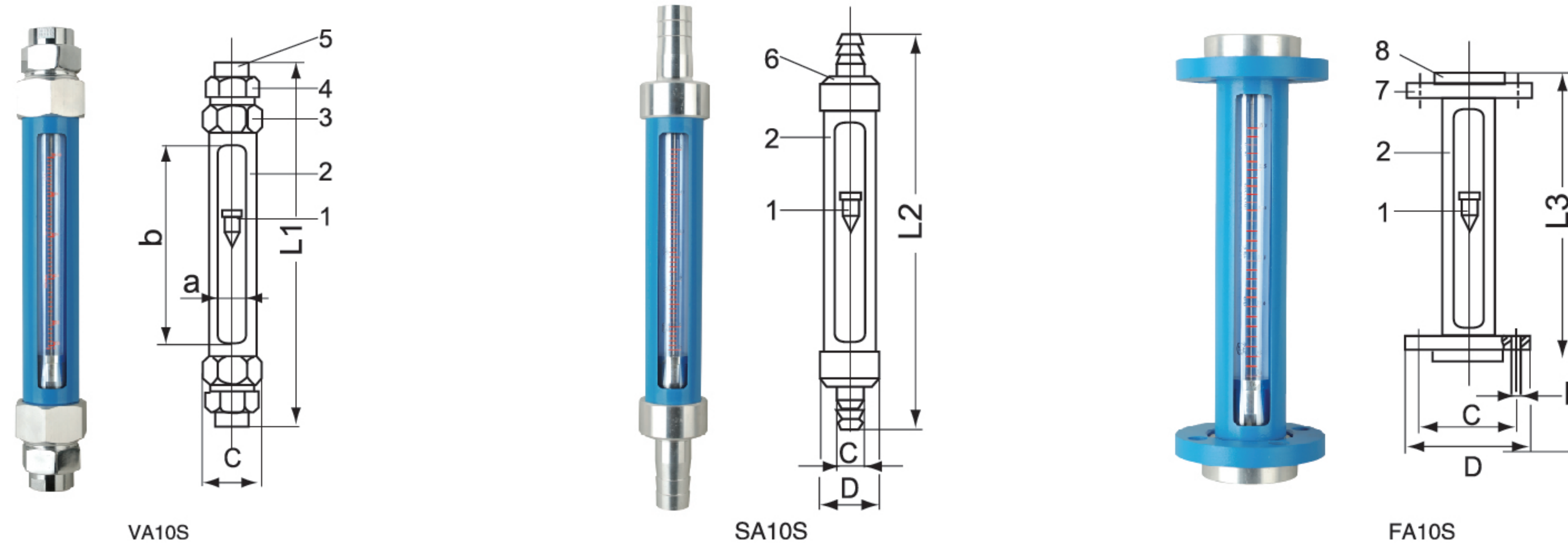


The Series VA/SA/FA10S Glass Rotameter

High measurement accuracy and good interchangeability



The Series VA/SA/FA10S Glass Rotameter is a variable area flowmeter. Its measuring tube is made of transparent glass. When fluid flows through the tube, the float suspends under the action of hydrodynamic force and its own gravity. The greater the fluid flow rate, the higher the float rises. The flow value can be directly read from the float's position. With excellent chemical compatibility, it becomes a preferred tool for laboratory, food & pharmaceutical, and small-to-medium flow measurement applications. Its lightweight design and easy-to-observe features make it particularly advantageous in scenarios requiring visual operation.

SPECIFICATIONS	
Service	Compatible liquids or Gases
Material	See material list
Accuracy	Interchangeability $\pm 2.5\%$, Single standard $\pm 1.5\%$
Temperature Rating	-20°C to 120°C
Connection	Optional thread connection, hose connection, or flange connection

FEATURES

- High measurement accuracy and good interchangeability
- The float rotates only with the fluid flow, featuring no mechanical wear, low maintenance costs, and a long service life. Lightweight and cost-effective
- Provides an economical solution for flow measurement
- Vertical installation without straight pipe sections
- Allows direct observation of fluid status and float position for easy reading

APPLICATIONS

- Pharmaceutical Industry
- Semiconductor Industry
- Food and Beverage Industry
- Urban Water Supply and Drainage
- Environmental Protection
- New Energy Industry
- Scientific research institution

Material

No.	Material
1	304SS, 316L or PTFE
2	Stainless Steel
3	Aluminum or 304SS
4	45#
5	304SS or 45#
6	304SS or Aluminum
7	45# or 304SS*
8	Aluminum or 304SS

MODEL CHART							
Example	VA	10S	-15	-4L/h-40L/h	-L	-1	-S
Series	The Series VA/SA/FA10S						
Connection	VA						Thread connection type
	SA						Hose connection type
	FA						Flange connection type
Series Code		10S					Series code
Pipe Size			15				Please refer to the technical specification, outline dimension, and material list
			25				Please refer to the technical specification, outline dimension, and material list
			40				Please refer to the technical specification, outline dimension, and material list
			50				Please refer to the technical specification, outline dimension, and material list
Flow Range				XXXXXXXX			Select the range in the technical specification table, e.g., "4L/h-40L/h"
Medium					A		Gas
					L		Liquid
Connection Material						1	304 stainless steel
						2	Aluminum (Note: VA10S is 45#)
Float Material						P	PTFE
						S	304 stainless steel

Specifications

Pipe Size DN(mm)	Model	Measurement Range		Working Pressure (MPa)	Temperature
		Liquid(L/h)	Gas(m ³ /h)		
15	VA10S-15 SA10S-15 FA10S-15	4~40	0.12~1.2	≤ 1.0	-20°C ~120°C
		6~60	0.3~3		
		10~100	0.5~5		
		16~160	0.8~8		
		25~250	1.2~12		
25	VA10S-25 SA10S-25 FA10S-25	40~400	2~20	≤ 1.0	
		63~630	3~30		
		100~1000	5~50		
		160~1600	8~80		
40	VA10S-40 SA10S-40 FA10S-40	250~2500	5~50	≤ 0.9	
		400~4000	8~80		
			12~120		
*50	VA10S-50 SA10S-50 FA10S-50	400~4000	12~120	≤ 0.7	
		630~6300	20~200		
		1000~10000	30~300		
		4000~16000			

*Special-made products must be confirmed with the factory before ordering.

FA10S Overall Dimensions

Pipe Size DN(mm)	Window Size(a*b)	FA10S Flange Connection				
		L3	C	D	E	Weight(kg)
15	26x230	310	ø65	ø95	4-ø14	1.4
25	26x230		ø85	ø115		2.6
40	40x230		ø110	ø145		4.6
50	50x230		ø125	ø160	4-ø18	7.3

SA10S Overall Dimensions

Pipe Size DN(mm)	Window Size(a*b)	SA10S Hose Connection			
		L2	C	D	Weight(kg)
15	26x230	400	ø 13.5	ø 44	0.9
25	26x230		ø 27	ø 65	1.6
40	40x230	450	ø 44	ø 80	3.4
50	50x230		ø 53	ø 103	5.2

VA10S Overall Dimensions

Pipe Size DN(mm)	Window Size(a*b)	VA10S Pipe Thread Connection			
		L1	C	Thread	Weight(kg)
15	26x230	408	53	1/2" FNPT BSP1/2"	1
25	26x230	414	75	1" FNPT BSP1"	1.8
40	40x230	428	92	1½" FNPT BSP1½"	3.7
50	50x230	431	116	2" FNPT BSP2"	5.9